

Deliver high power white light for CCTV & IP camera at night time and improve performance of camera to get clear pictures.



## Product Features



- Precise secondary optical technology

The latest LED technology assures outstanding performance of LED with excellent luminous efficiency and more uniform illumination

- Independent innovation of high efficiency power drive schemes

Low failure rate of products is guaranteed because of professional in-house optimized independent circuit technology widely used in our LED illuminators for more than 5 years

- High thermal conductivity aluminum

Excellent thermal management not only reduces excess heat and brightness decay of LED but also ensures efficient, reliable and continuous operation of LED throughout its lifetime as 50,000 hours

- Energy saving technology

All illuminators has energy saving circuit with low electrical power consumption.

- Thinner and lighter design

Our patent owned housing is designed for simple installation and easy operation to reduce construction difficulty

- Warranty period

3 year warranty

## Basic Function

- To improve performance of the weak light camera, thereby enhancing the picture effects at night

- Conventional night monitoring
- The function of video analysis at night
- Reduce signal noise and other image distortion
- Reduce the network bandwidth requirements
- Energy saving by power factor correction
- Reduce the equipment cost
- Lower cost of installing and wiring
- Indoor and outdoor use

## Viewing picture at night



With IR light

Without IR light

## Picture



Hidden glass

Transparent glass

## Technical Specification

LED type: 6 pieces high power IR LED  
Wavelength: 740nm/850nm/940nm  
Beam angle: 15 to 120°  
Beam distance: 80m to 12m(850nm)  
Bracket: wall mount bracket  
Working voltage: DC12V  
Current: 800mA(850nm)  
Cable: 0.45m  
Day/night switch: automatic  
Working temperatures: -30 to 50°C  
Protection level: IP66  
Color: black  
Panel: tempered glass panel  
Housing: aluminum die-casting housing  
N.W: 0.53KG  
G.W: 0.6KG  
Packing dimension: 140\*115\*105mm

## Model for Selection

Model	Beam angle	IR distance (850nm)
20100297	15°	80m
20100298	30°	60m
20100299	45°	40m
20100300	60°	22m
20100301	90°	16m
20100302	120°	12m

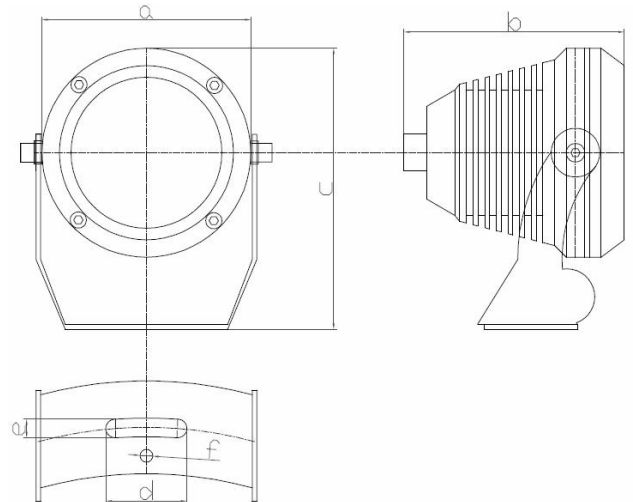
\*IR distance is tested by Sony 1/3 CCD Camera with 0.01LX.

To achieve the distance needed, please pay attention to your camera specification and lens before purchase. It is normal phenomenon that distance may vary due to different cameras and lens.

## Product Certificate



## Drawing



a: 90mm      b: 97mm

c: 121mm     d: 35mm

e: 8mm        f: 5.5mm