

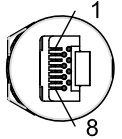
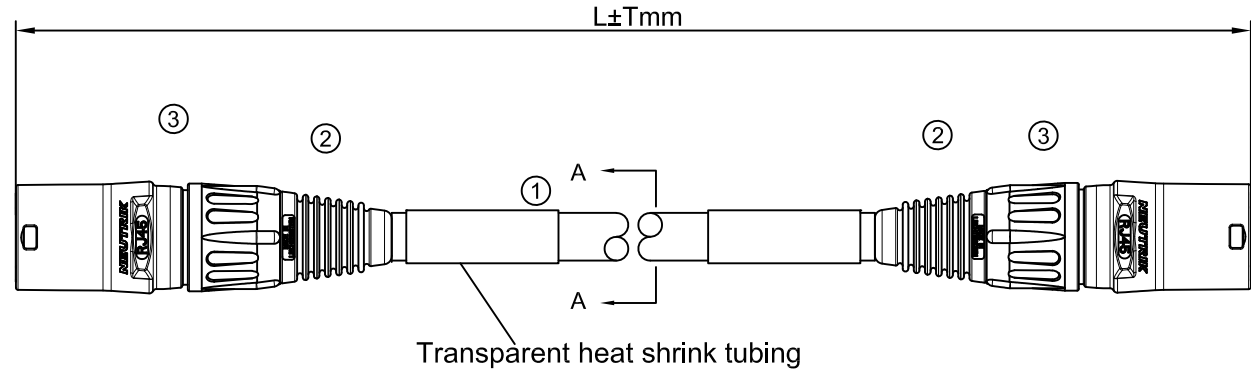
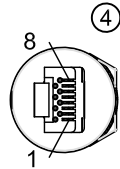
REVISION INFORMATION			
Rec.	Rec. Date	Modified By	Brief Description
1	2023/6/5	FW	Update the connector carrier to NEUTRIK

Overview

Bandwidth: 250MHz
 OD: 7.0mm
 Conductor: 24AWG
 Approvals: RoHS
 Connector: 50U" Gold Plated RJ45 Connector

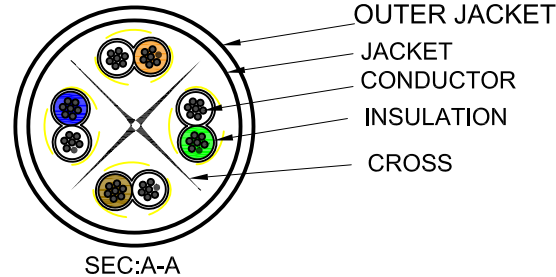
Physical Characteristics

- Cable Type – CAT6 UTP
- Connector Type(s) – RJ45
- Wiring Scheme – T568B
- Temperature Rating
 - Installation: 0°C~50°C
 - Operation: -20°C~60°C
- Voltage Rating – 30V



Conductor (Qty. 4 twisted pair)

- Conductor Type – 24AWG(7/0.20±0.008MM), Stranded BC
- Insulation – HDPE
- Diameter – 0.97±0.05mm
- Pair Identification:
 - Pair1=Orange, Orange-White
 - Pair2=Blue, Blue-White
 - Pair3=Green, Green-White
 - Pair4=Brown, Brown-White



Connector Type (Qty. 2)

- Connector Type – Shielded 8P8C (RJ45)
- Gender – Male
- Connector Material – PC
- Contact Material – Copper Alloy, Gold Plating – 50µm
- Hood Material – etherCON NEUTRIK RJ45 Connectors

Overall Cable

- Jacket – PVC+PVC
- Minimum Average Thickness – 0.50mm
- Outer Diameter – 7.0 ± 0.20mm

Electrical Characteristics

- Conductor DC Resistance – 11.2Ω/100m (maximum)
- Impedance – 100Ω
- Capacitance – 5600pf/100m
- Propagation Delay – 545ns/100m (maximum)
- Delay Skew – 45ns/100m (maximum)
- Pass Fluke DSX 8000 Channel test

P1	P2	T568B
1	—	1 WHITE/ORANGE
2	—	2 ORANGE
3	—	3 WHITE/GREEN
4	—	4 BLUE
5	—	5 WHITE/BLUE
6	—	6 GREEN
7	—	7 WHITE/BROWN
8	—	8 BROWN

TOLERANCE:	
LINEAT: X. =±1 .X =±0.2 .XX=±0.05	ANGULAR: X.° =±1° .X.° =±0°'30"
FILLET: R2=RAD.2mm R5=RAD.5mm XR=MAX RAD.	CHAMFER: C0.5=CHAM0.5mm C1=CHAM1mm

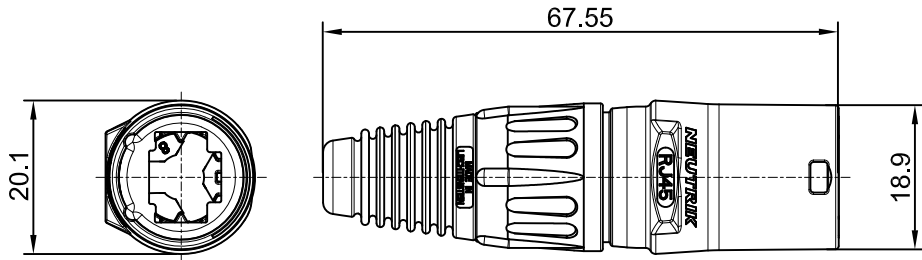
COLOUR	LENGTH(M)	TOLERANCE
BLACK	80	±80mm

ITEM NO:	Rugged Cable Reel-CAT.6 U/UTP 24AWG High Flex PVC with etherCON Cable Connector Carrier	DRAWER DATE	FW 20230324
----------	-----------------------------------------------------------------------------------------	-------------	-------------

4	RJ45 Male Connector: 8P8C 50U" GOLD PLATED TWO-PIECE PLUG PLUG .	
3	AVIATION PLUG: ETHERCON NEUTRIK RJ45 CONNECTORS BLACK	
2	MOLDED: MOLDED PVC BOOT.	
1	CABLE: CAT6 UTP [1P/24AWG(7/0.20±0.008mm)BC]*4 OD:Ø7.0±0.2MM PVC+PVC JACKET.	
NO.	SPECIFICATION	Q'TY
BOM LIST		



REVISION INFORMATION			
Rec.	Rec. Date	Modified By	Brief Description
1	2023/6/5	FW	Update the connector carrier to NEUTRIK



Electrical parameters

- Contact resistance: < 10
- Dielectric Strength: 1 kVdc
- Frequency range: 1 - 100 MHz
- Insulation resistance: > 10GΩ
- Rated current per contact: 16 A
- Voltage rating: 50 V
- Transmission performance: CAT 6 compliant, TIA/EIA 586B, IEC11801

Mechanical parameters

- Insertion pressure: ≤ 20 N
- Pull out pressure: ≤ 20 N
- Service life: based on the number of connections > 1000 times
- Panel thickness: Max 4mm
- Locking device: push-pull
- Base shape: D type

Material

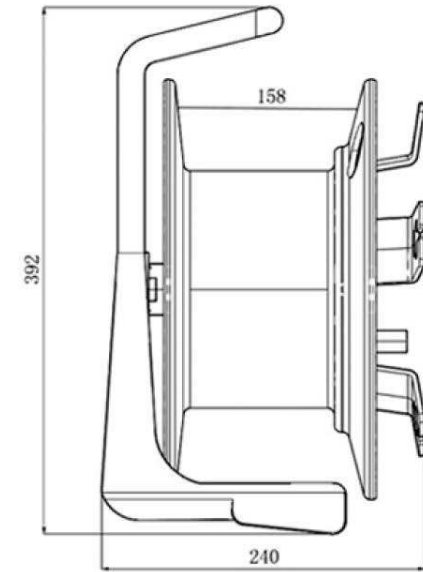
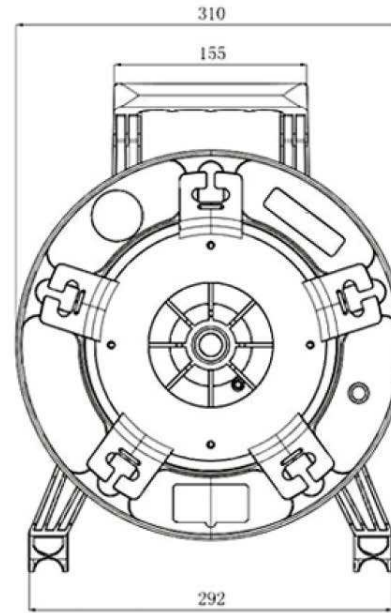
- Contact Plating: Au over Ni plating
- Contact: Bronze (CuSn8)
- Insulator: PA6 15 % GR
- Housing: Zinc diecast (ZnAl4Cu1)
- Housing Plating: Nicke
- Protection class: IP65

Environmental friendly

- Comply with the mandatory standard ROHS established by EU legislation
- Flammability: UL 94 V-0
- Temperature range: -30 °C to +80 °C

ITEM NO:		DRAWER DATE	FW
TITLE		CHECKED DATE	20230324
			ACE
			20230324

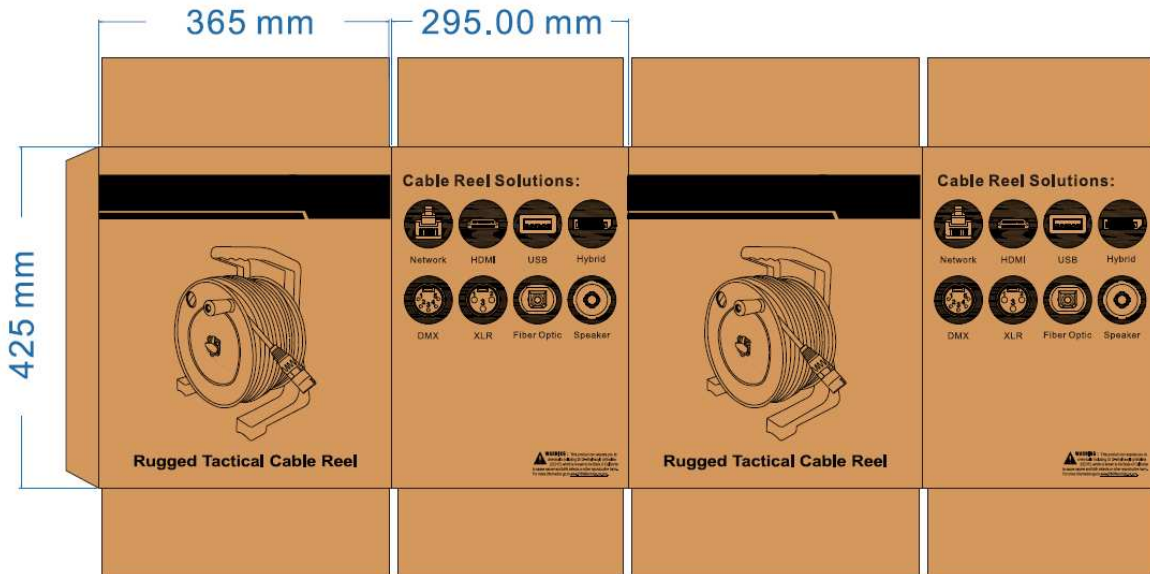
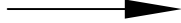




ITEM NO:		DRAWER DATE	FW 20230324
TITLE		CHECKED DATE	ACE 20230324

DIREKTRONIK
Dataprodukter utöver det vanliga

RoHS COMPLIANT



ITEM NO:		DRAWER DATE	FW
TITLE		CHECKED DATE	20230324
			ACE
			20230324

DIREKTRONIK
Dataprodukter utöver det vanliga